

VERSATILE: EASY TRANSFORMATION TO ADAPT TO CIRCUMFERENTIAL AND AXIAL WELDS



FLEXIBLE DESIGN. THE BASE KIT IS THE CIRCUMFERENTIAL SCANNER THAT CAN ACCOMMODATE SCANS ON PIPE FROM NPS 2.5 TO FLAT AND THICKNESSES UP TO 2 INCHES.

FROM NPS 2.5 TO FLAT

WELD CRAWLER™ base kit can accommodate pipes for NPS 2.5 to flat, and thicknesses up to 2 inches.

UP TO 6 INCHES THICK WELDS

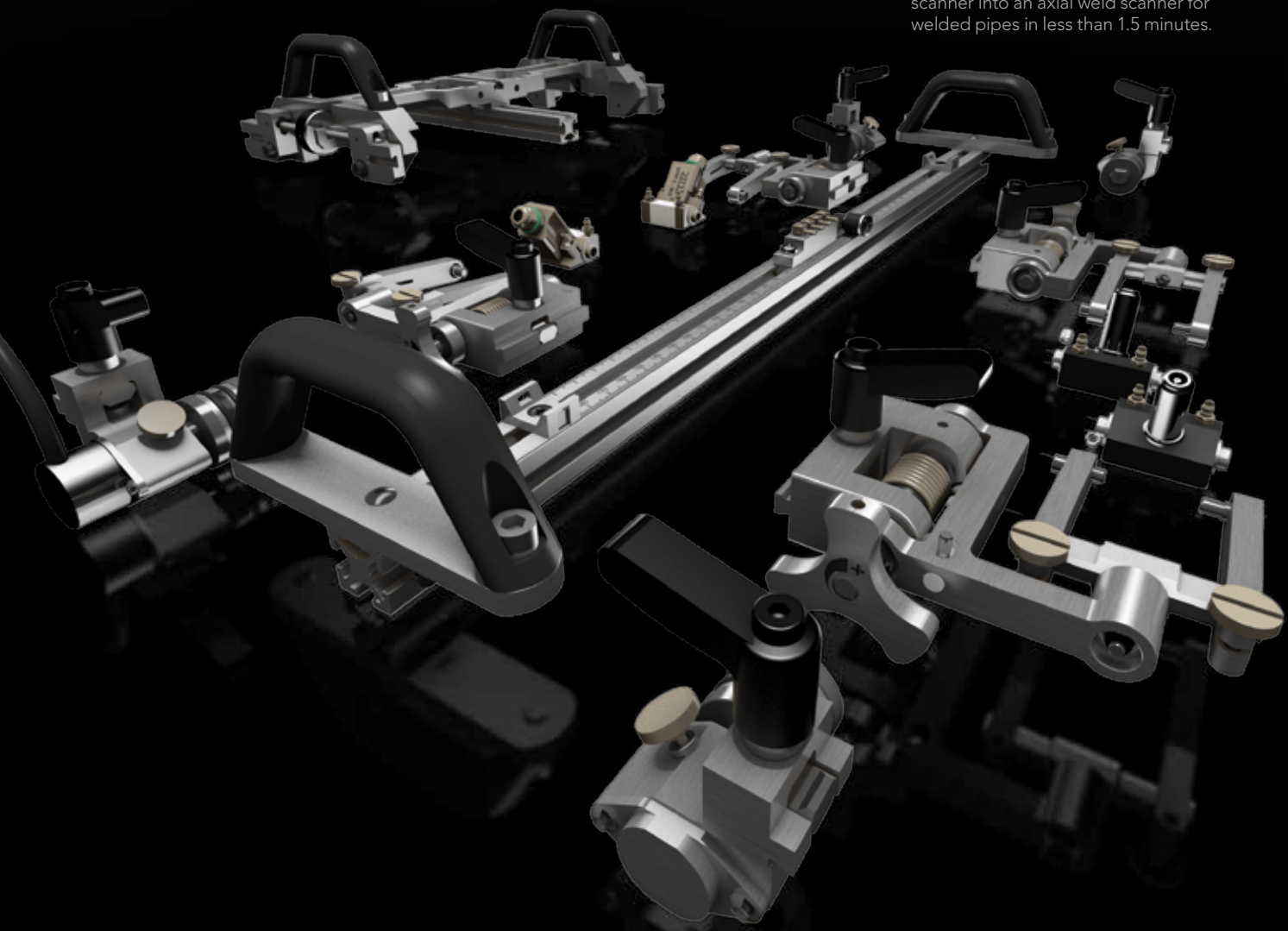
Available frame options to accommodate 6 or 8 probes and cover higher thicknesses.

PHASED ARRAY ONLY – TOFD ONLY – TOFD AND PHASED ARRAY

WELD CRAWLER™ base kit can accommodate up to 4 TOFD or phased array probes.

FROM CIRCUMFERENTIAL WELD TO AXIAL WELD IN 90 SECONDS

The addition of the axial kit will allow the user to transform the circumferential weld scanner into an axial weld scanner for welded pipes in less than 1.5 minutes.



WELD

Inspection solution
Integrated. Evolutive. Adaptable. Simple.

FOR ADDITIONAL INFORMATION
weld.zetec.com

ZETEC

875 Charest Ouest Blvd., Suite 100
Québec QC G1N 2C9 CANADA
Toll free: 800.643.1771
P: 418.266.3020
F: 418.263.3742
weld@zetec.com

WELD

Inspection solution
Integrated. Evolutive. Adaptable. Simple.



Printed in Canada 2014 propage.com

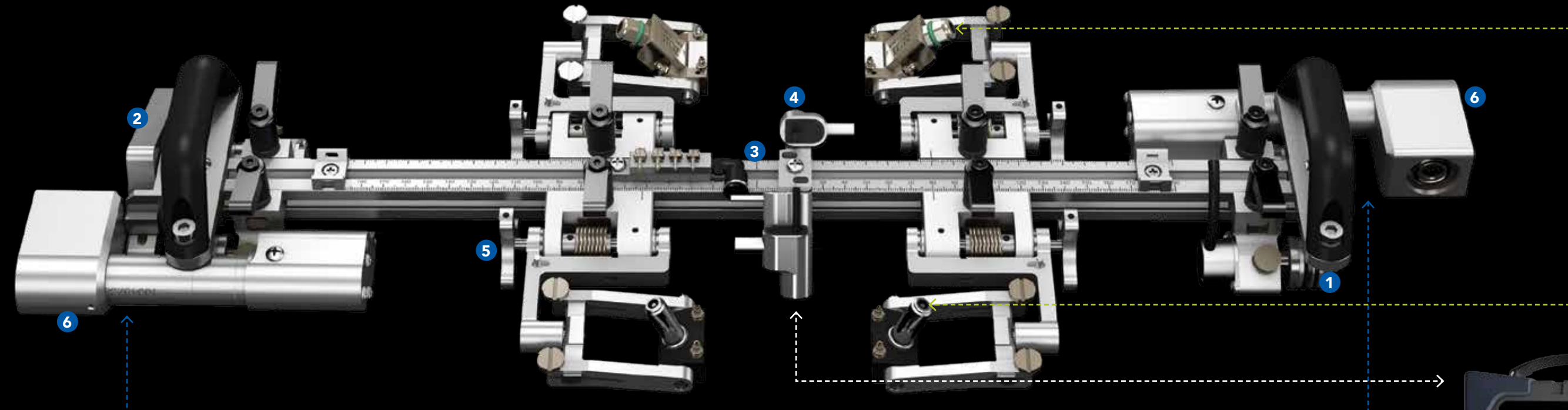
topaz.zetec.com

Z-CHECK CORPORATION

35560 Grand River Ave, #420
Farmington Hills, MI 48335
P: 248-676-1007 / E: sales@z-checkcorp.com
Website: www.z-checkcorp.com

ZETEC

WELD CRAWLER™. A WORLD OF POSSIBILITIES.



1 MAGNETIC WHEELS
The magnetic wheels are providing a strong magnetic field to maintain the scanner in position. They are easy to clean and can be doubled in case of need. The wheels have an embedded breaking system. They are easy to position.



2 BREAK SYSTEM AND LEVER
The scanner has a lever to facilitate liftoff and compensate the strong adhesion provided by the scanner magnetic wheels.



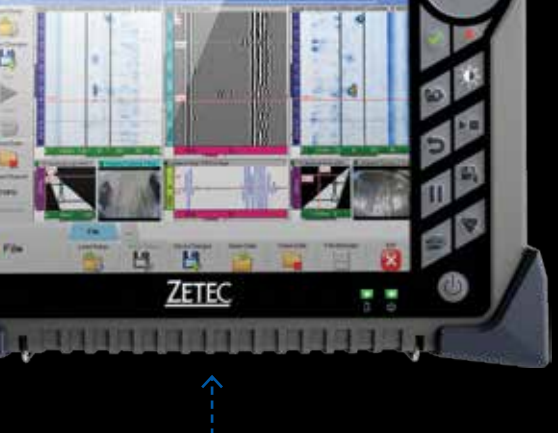
3 EASY PROBE POSITIONING WITH EMBEDDED RULER
The ruler on the main arm allows easy and fast probe positioning for optimum data acquisition. Probe positions are directly provided by TOPAZ™ running the weld option.



THE IRRIGATION PUMP CAN BE USED IN CONJUNCTION WITH THE WELD SOLUTION.
AUTONOMUS. The irrigation pump features two TOPAZ™ type batteries—only one type of batteries to manage.
BUFFER TANK. The irrigation pump also features a buffer tank and a filter. Suction nozzle can be connected to another coupling supply.



6 MOTORS
WELD can be motorized using two optional motors. This solution uses two powerful micro-motors with embedded gearbox and includes the correction of the scanner drift in the pipe.
INDEPENDENT MOTOR CONTROLLER
The motors are controlled by ZMC4 motor controller. The ZMC4 features two TOPAZ™ type batteries—only one type of batteries to manage.



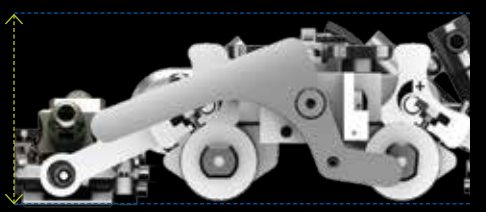
DRIVEN FROM TOPAZ™
The ZMC4 is remotely operated from TOPAZ™ screen.
DIALOG SCANNER
The WELD CRAWLER™ is recognized by TOPAZ™. The scanner's encoder parameters will automatically be programmed in TOPAZ™.



4 ONBOARD CAMERA AND LASER POINTER
The two onboard micro-cameras are streaming the live image on the TOPAZ™ display. Live stream is recorded on TOPAZ™ at the same time as the UT data and can be reviewed during post processing to monitor probe positions in relation with the weld, specifically when the operator do not have a direct view on it.



5 ADJUSTABLE TENSION SUSPENSION
Each probe suspension has an individual tensioner system to adapt the suspension to the application. Probes can be parked in upper position. A locker can be released to apply the pre-adjusted tension.



LOW CLEARANCE
Scanner low clearance allows its use in confined spaces where only 2 ¼" are needed.

BATTERIES
Only one type of batteries is needed to operate the entire WELD solution. These batteries being hot-swappable, it is possible to exchange them between TOPAZ™, the irrigation pump and the ZMC4 independent motor controller and to maximize battery life.



SPLITTER BOX



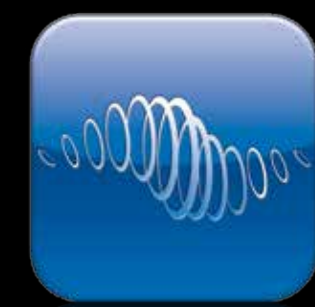
FAST ATTACHMENT WITH SOLID LATCH
Super easy, fast and solid attachment on the back of TOPAZ™. Just slide it in the rail. Press the latch to release it.

ROBUST METAL HOUSING
In the field, robustness is key to success.



MULTI-DIALOG PROBE COMPATIBLE
The splitter box is capable to read probe identification data from the two phased array probes and to push them to TOPAZ™.

ADDITIONAL CV CHANNELS FOR TOFD WITH INDIVIDUAL SWITCHES
Can redirect up to 4 conventional channels from phased array channels.



ULTRAVISION DEDICATED SOFTWARE FEATURES

OPTIONAL DEDICATED SOFTWARE IS AVAILABLE TO ENHANCE SCANNING PREPARATION, TO SUPPORT THE OPTIONAL ADD-ON FEATURES, TO REFINE ANALYSIS AND TO TRACK PROBE USAGE TO CONFIRM THE VALIDITY OF THE SCAN.

PREPARATION
Preparation software accepts geometric data of the specimen and produces relevant views of the HAZ. It can set the inspection rules and intuitively guide the operator through the inspection.

ACQUISITION
Data acquisition is a standard feature of the WELD solution. This optional software supports the scanner's optional hardware, including the splitter box, the cameras and the motorized version.

ANALYSIS
Optional analysis software tools like TOFD lateral wave removal, SAFT and drop sizing are available to meet varied and specific user requirements.

REPORTING
Advanced reporting tools facilitating advanced UT inspection understanding and inspection chain traceability.